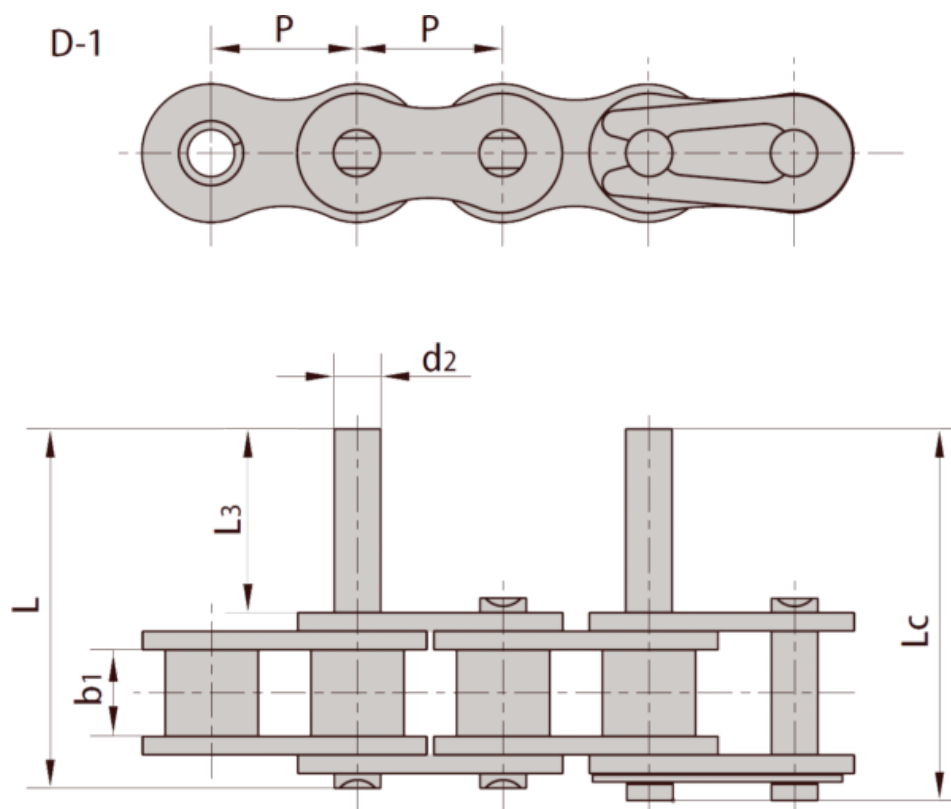


Article number: 6100110081071

Description: 16B1

Extended pin one side only, connecting link

Measures



$b1 = 17.02$

$d2 = 8.28$

$L = 53.0$

$L3 = 19.1$

$Lc = 54.3$

$P = 25400$